

THC1 High Energy Tantalum Hybrid Capacitor

❖ Characteristics and application

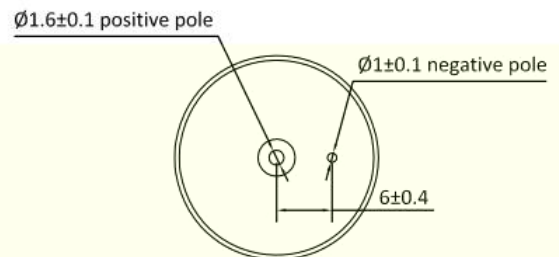
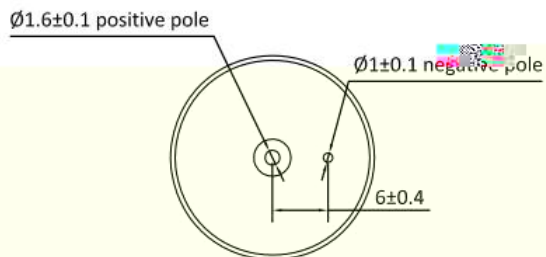
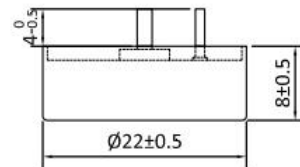
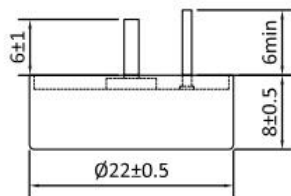
-
-
-
-
-
-



❖ How to order: THC1-50V7000 μ F-M 100pcs

❖ Technical Performance.

❖ Size and installation 22x8mm





N. O. 8

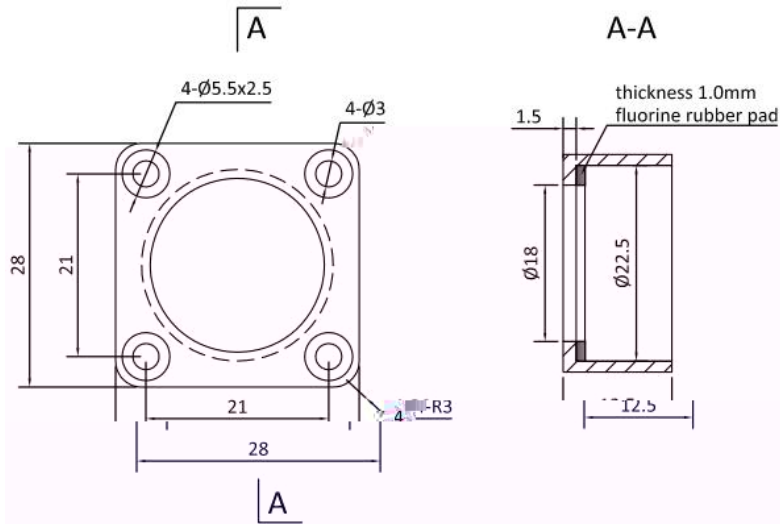


Table2 THC1 High Energy Tantalum Hybrid Capacitor data, Case size: $\phi 22 \times 12.5$ mm

❖ Size and installation 35.5x8mm

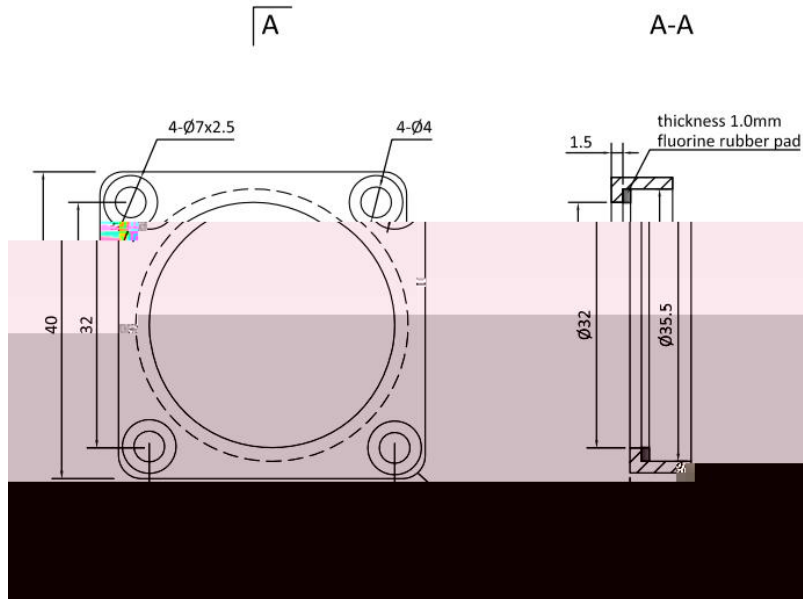


$\phi 1.6 \pm 0.1$ positive



THC1 35.5x8mm Layout (Type A)

THC1 35.5x8mm Layout (Type B)



THC1 35.5x8mm Mounting Holder Layout

Table3 THC1 High Energy Tantalum Hybrid Capacitor data,Case size: 35.5x8 mm



❖ Environmental and mechanical performance characteristics

Environmental Characteristics		
Item	Test and Condition	Method and Requirement

Mechanical Performance Characteristics		
Item	Test and Condition	Method and Requirement

❖ Notes

-
-
-
-